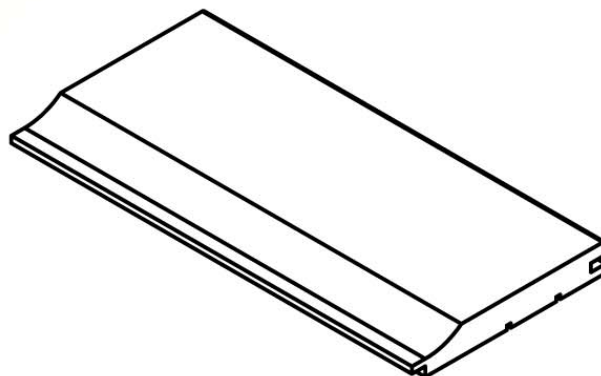
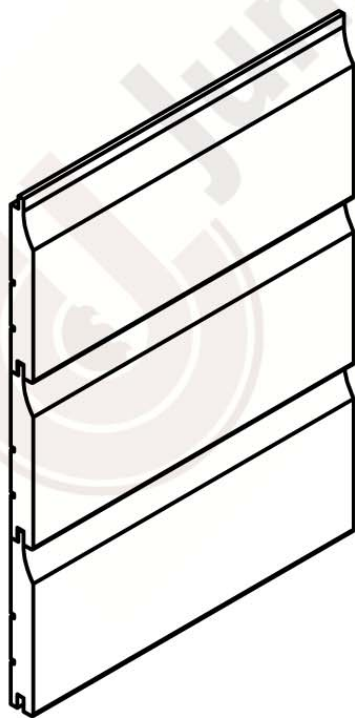
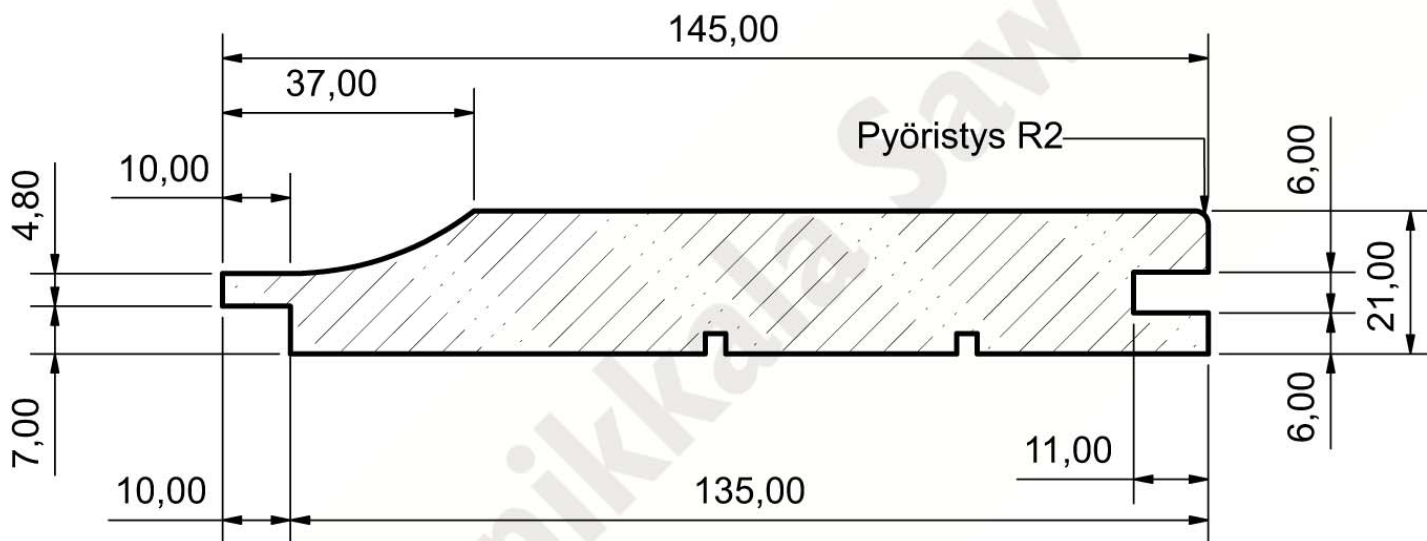


## Profil No: 63

## UTK 21 x 145 (24 x 150)



#### The maximum allowed dimension tolerance of planed sawn timber

Thickness:	≤ 20 mm	± 0.5 mm
	> 20 mm	± 1 mm
Width:	≤ 100 mm	± 1 mm
	> 100 mm	± 1.5 mm
Moisture content	15-20 %	